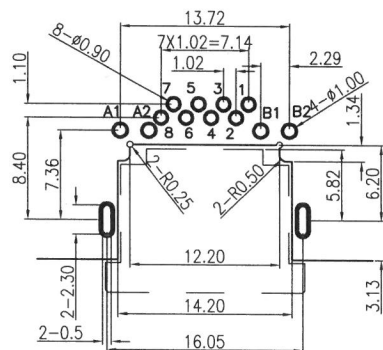
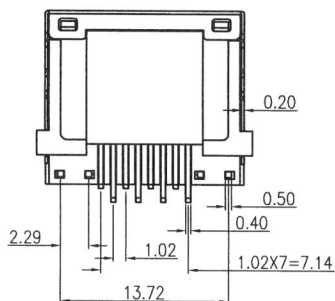
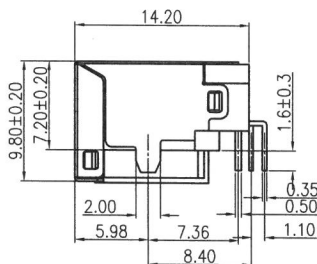
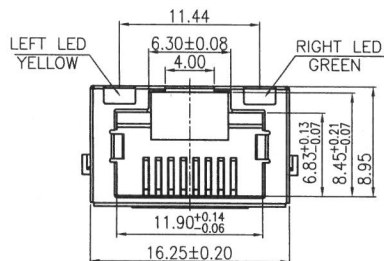
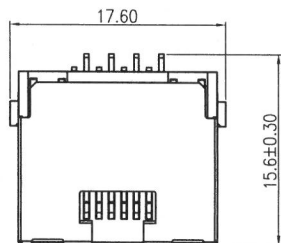


REV.	ECN.NO.	MODIFY.CONTENT	DATE
A		初版发行	



RECOMMEND PCB LAYOUT

NOTES:

ELECTRICAL:

- 1.VOLTAGE RATING: 125VAC
- 2.CURRENT RATING: 1.5AMPS
- 3.CONTACT RESISTANCE: 30 mΩ MAX
- 4.INSULATION RESISTANCE: 500 MΩ MIN @ 500V DC
- 5.WITHSTANDING VOLTAGE: 500 V AC

MATERIAL:

- 1.HOUSING & INSERT MATERIAL: HIGH-TEMP PLASTIC UL94V-0.
- 2.CONTACT MATERIAL:PHOSPHOR BRONZE.
- 3.CONTACT PLATING: 1).CONTACT AREA SELECTIVE GOLD  
2).TAIL PLATED TIN OVER NICKEL.
- 4.SHELL MATERIAL:COPPER ALLOY/STEEL.
- 5.SHELL PLATING: NICKEL PLATED

MECHANICAL:

- 1.INSETION FORCE: 2.2Kgf MAX.
- 2.RETENTION FORCE: 7.7Kgf MIN.
- 3.DURABILITY: 750 CYCLES MIN.

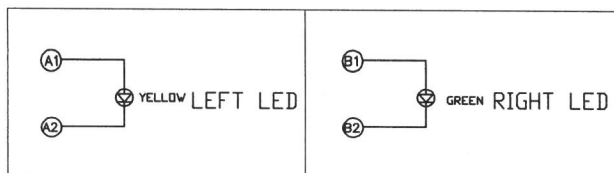
ENVIRONMENTAL:

- 1.STORAGE TEMPERATURE: -40°C ~ + 85°C RELATIVE HUMIDITY<80%
- 2.OPERATION TEMPERATURE : -40~+ 85°C

PART NO:

1 J 4 H 0 7 5 \* 0 1 8 1 8 - 0 0

GOLD PLATING  
F=G/F H=3U"  
E=5U" W=6U"  
J=15U" K=30U"  
M=50U"



注: 此文件为双方检验的唯一标准  
This document is the sole criterion  
for both side to test.

GENERAL TOLERANCE		DRAWN	SCALE	PART NO.
X.±0.30	x.±1'	Harold.zou	Nov-14/18	1J4H075*01818-00
.X±0.25	.x'±0.1'	Checked	Ray.lee	RJ45 CONNECTOR 1 PORT WITH LEDS EDGE MOUNT
.XX±0.20		APPROVED	Munich	UNITES
.XXX±0.10		File NO.	J4H07501S	成品SPEC图
SHEET	1/1	Q'TY	1	REV.
蘇州祥龍嘉業電子科技股份有限公司 Goldenconn Electronics Technology Co.,LTD				